



PRODUCTS CATALOG

ELECTRICAL ENCLOSURES & MODULAR CABINETS



20

exmweb.com

NEMA 4-12 ENCLOSURES

5412 CH

JIC ENCLOSURES - LIGHT DUTY (BOLT-ON FEET)

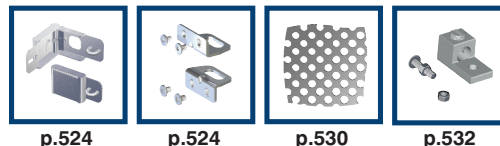
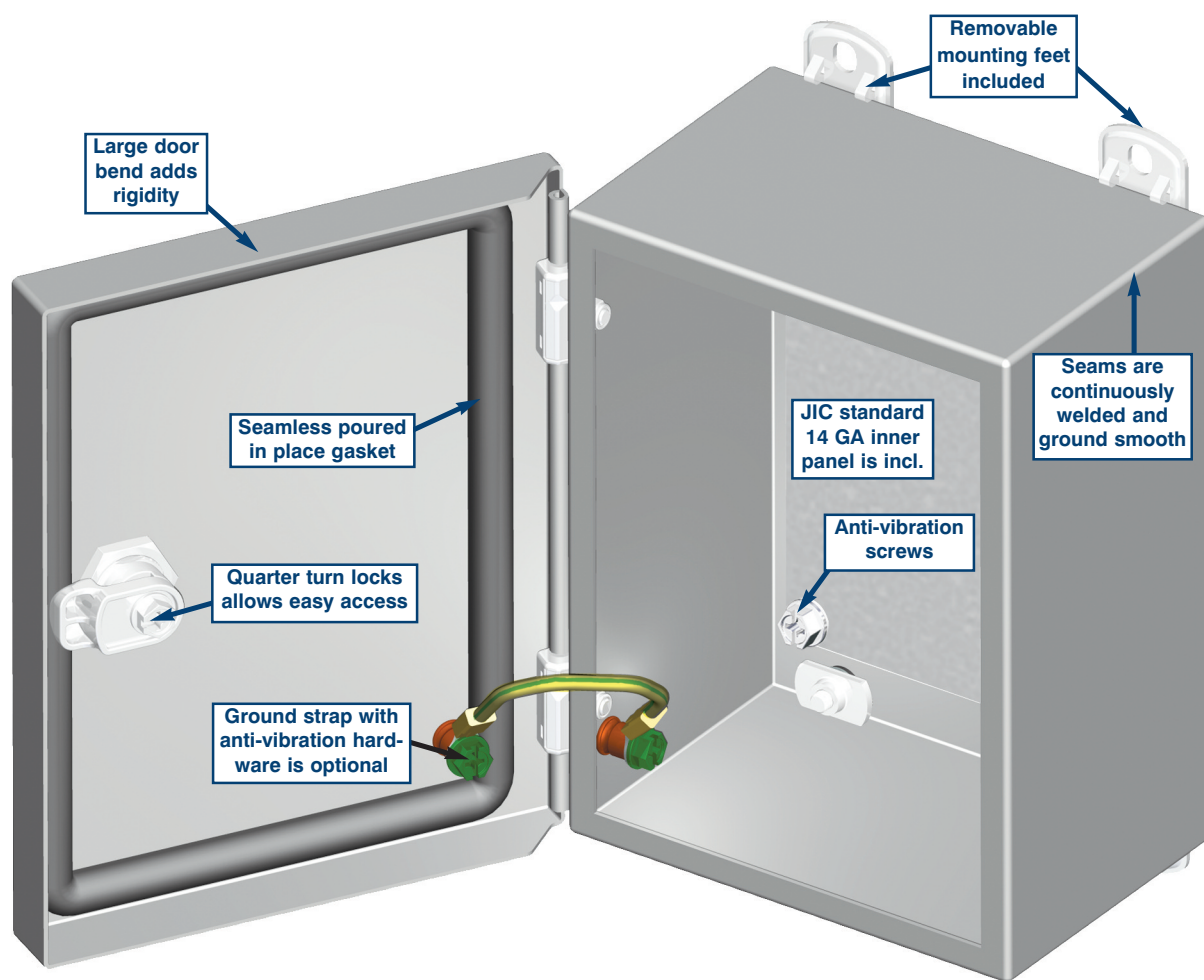
The 5412 CH are used indoors or outdoors to protect the enclosed controls from dust, dirt, oil and water splashing. The 5412 CH are made of high quality code gauge steel, with continuously welded corner seams. The enclosures feature die cast hinges, which are bound to the cover by an exclusive concealed hinge pin system. The covers are interchangeable and can be removed by unfastening the nylon lock

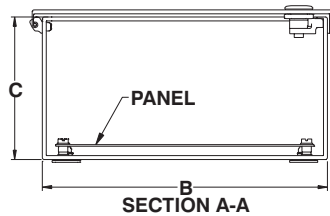
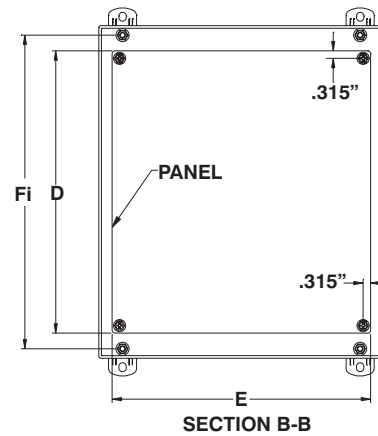
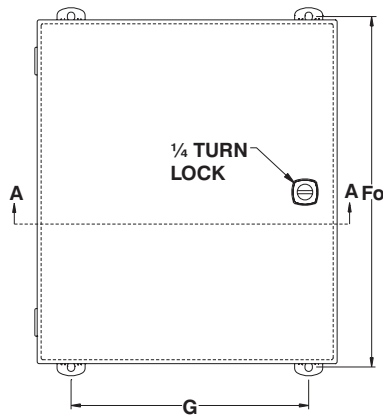
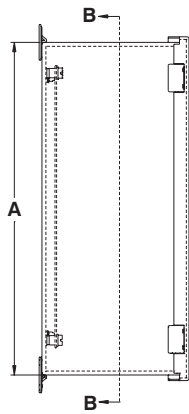
nuts. Enclosures are closed with a ¼ turn lock, which ensures tight, positive closing. A high quality, robotically poured-in-place, seamless gasket ensures a complete and durable water tight seal. **Each enclosure comes complete with a 14 GA galvanized inner panel**, which mounts on welded nuts. The enclosure can be internally or externally mounted using the included mounting feet. These feet have

oblong holes to facilitate installation. Enclosures are finished with heat fused powder paint, electrostatically applied on a pretreated base. Box ANSI/ASA 61 smooth gray.

**CSA Certified / UL Listed
NEMA/EEMAC 4-12 / IP66**

**Refer to p.734 to validate
choice of substrate for the
application**





| CATALOG NUMBER | DIMENSIONS | | | | | | | | SHIP WGHT LBS. |
|----------------|------------|----|---|-------|-------|-------|-------|----|----------------|
| | A | B | C | D | E | Fo | Fi | G | |
| 5412 CH060604 | 6 | 6 | 4 | 4.88 | 4.88 | 6.75 | 5.312 | 4 | 4 |
| 5412 CH080604 | 8 | 6 | 4 | 6.88 | 4.88 | 8.75 | 7.312 | 4 | 4 |
| 5412 CH080804 | 8 | 8 | 4 | 6.88 | 6.88 | 8.75 | 7.312 | 6 | 4 |
| 5412 CH100804 | 10 | 8 | 4 | 8.88 | 6.88 | 10.75 | 9.312 | 6 | 7 |
| 5412 CH101004 | 10 | 10 | 4 | 8.88 | 8.88 | 10.75 | 9.312 | 8 | 8 |
| 5412 CH121004 | 12 | 10 | 4 | 10.88 | 8.88 | 12.75 | 11.31 | 8 | 9 |
| 5412 CH121204 | 12 | 12 | 4 | 10.88 | 10.88 | 12.75 | 11.31 | 10 | 11 |
| 5412 CH141204 | 14 | 12 | 4 | 12.88 | 10.88 | 14.75 | 13.31 | 10 | 12 |
| 5412 CH080606 | 8 | 6 | 6 | 6.88 | 4.88 | 8.75 | 7.312 | 4 | 5 |
| 5412 CH080806 | 8 | 8 | 6 | 6.88 | 6.88 | 8.75 | 7.312 | 6 | 7 |
| 5412 CH100806 | 10 | 8 | 6 | 8.88 | 6.88 | 10.75 | 9.312 | 6 | 8 |
| 5412 CH101006 | 10 | 10 | 6 | 8.88 | 8.88 | 10.75 | 9.312 | 8 | 9 |
| 5412 CH121006 | 12 | 10 | 6 | 10.88 | 8.88 | 12.75 | 11.31 | 8 | 11 |
| 5412 CH121206 | 12 | 12 | 6 | 10.88 | 10.88 | 12.75 | 11.31 | 10 | 12 |
| 5412 CH141206 | 14 | 12 | 6 | 12.88 | 10.88 | 14.75 | 13.31 | 10 | 14 |
| 5412 CH161206 | 16 | 12 | 6 | 14.88 | 10.88 | 16.75 | 15.31 | 10 | 16 |
| 5412 CH121208 | 12 | 12 | 8 | 10.88 | 10.88 | 12.75 | 11.31 | 10 | 14 |
| 5412 CH141208 | 14 | 12 | 8 | 12.88 | 10.88 | 14.75 | 13.31 | 10 | 16 |
| 5412 CH161208 | 16 | 12 | 8 | 14.88 | 10.88 | 16.75 | 5.31 | 10 | 17 |



CUSTOMIZE THIS
ENCLOSURE WITH **BOXCAD**
SIZE - COLOR - CUT-OUTS

